



TM

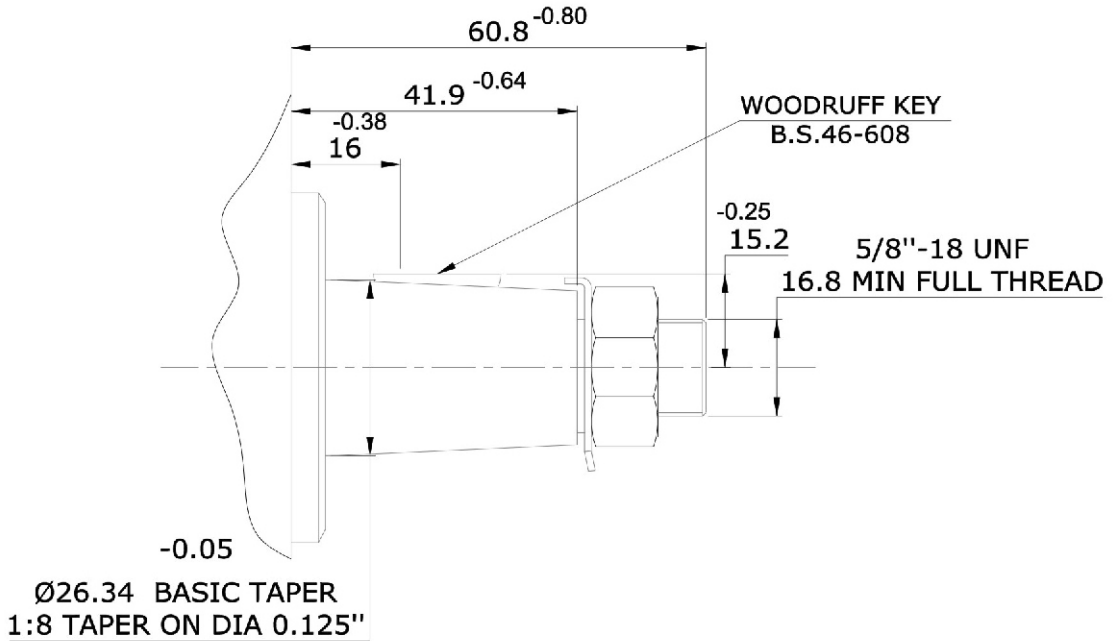
Gear Pumps & Valves



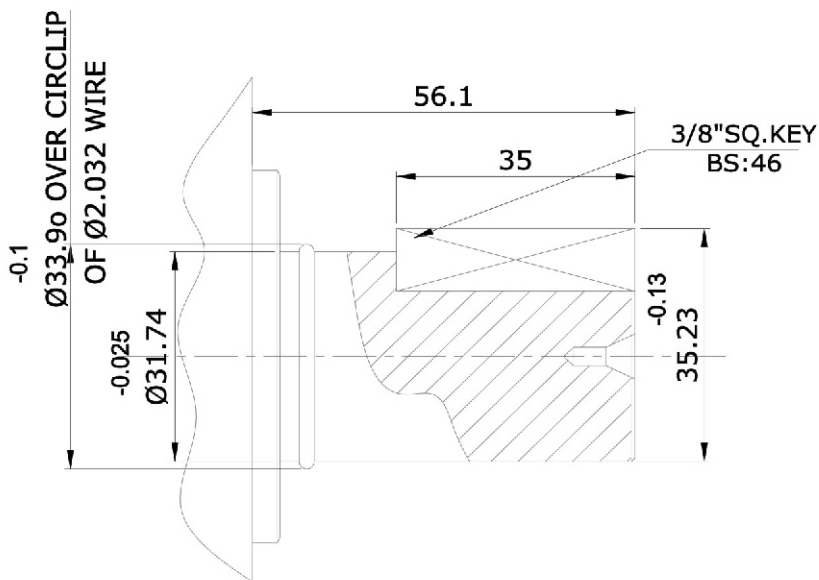
3P SERIES

DRIVE SHAFT

CODE - T



CODE -P



ALL DIMENSIONS ARE IN MM UNLESS SPECIFIED

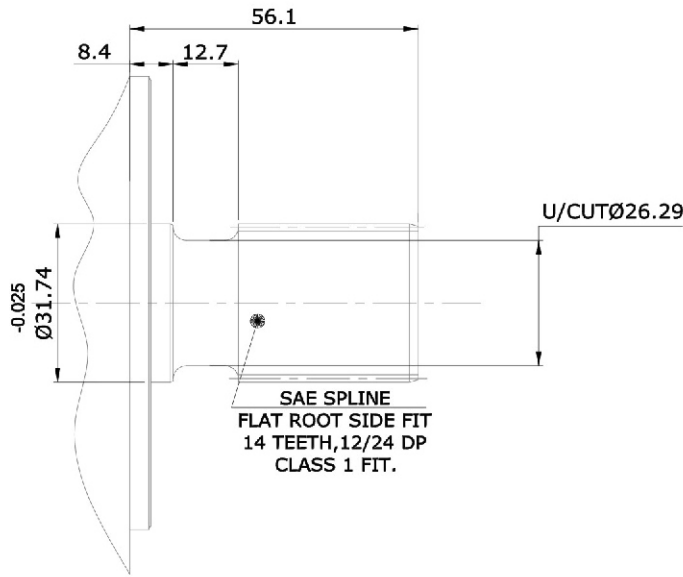


Gear Pumps & Valves

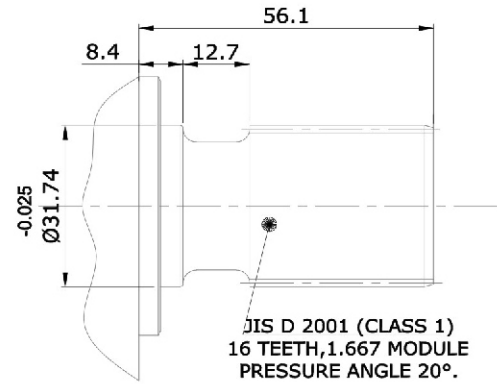
3P SERIES

DRIVE SHAFT

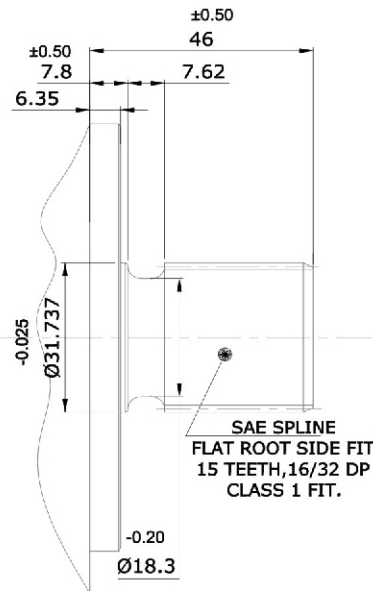
CODE -S



CODE -J



CODE -B



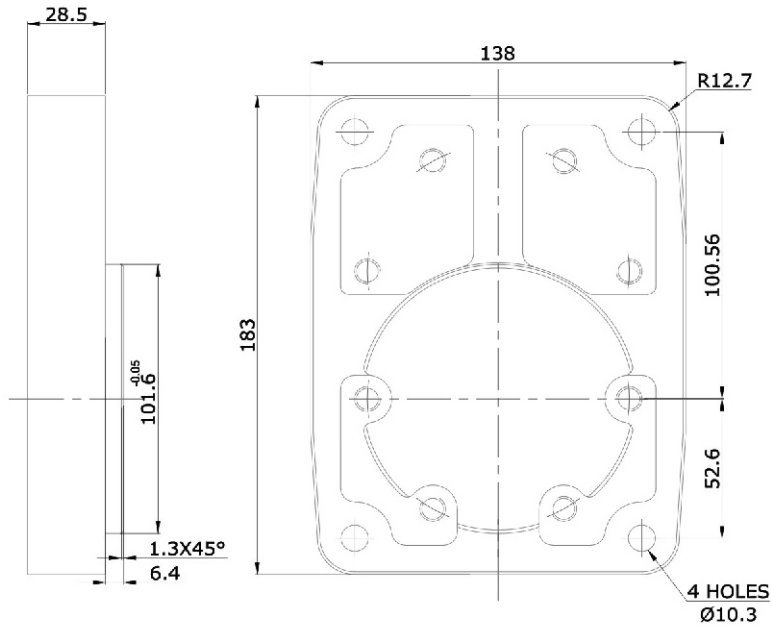
ALL DIMENSIONS ARE IN MM UNLESS SPECIFIED



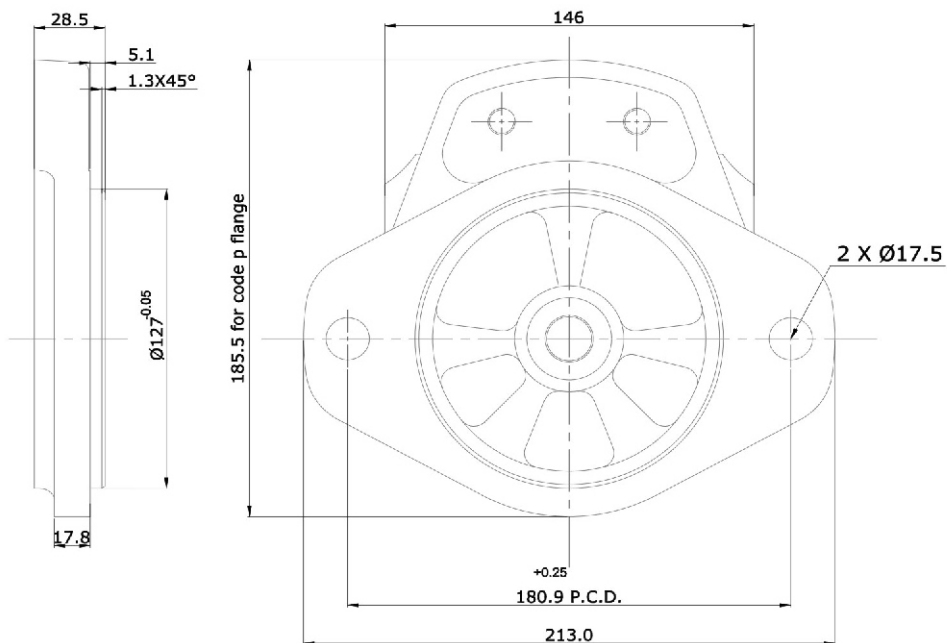
3P SERIES

MOUNTING FLANGE

CODE -D



CODE-S



ALL DIMENSIONS ARE IN MM UNLESS SPECIFIED

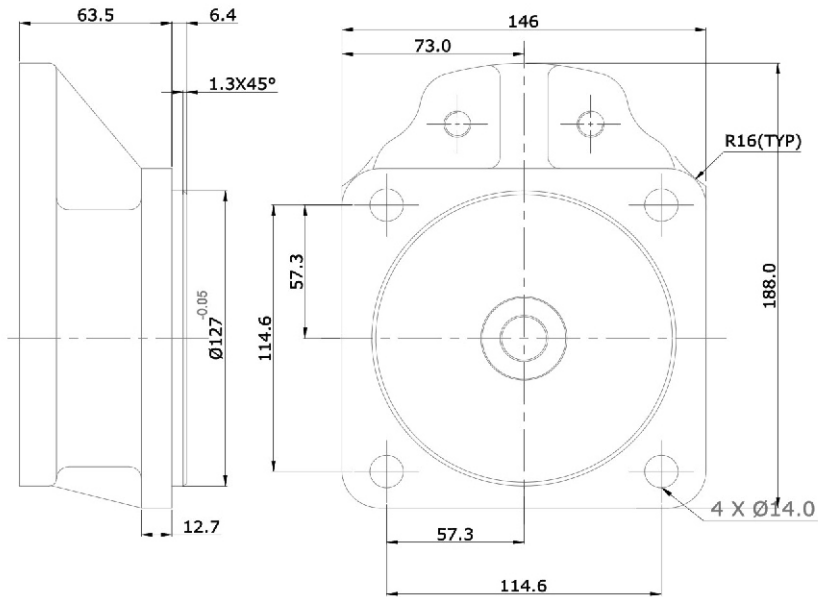


Gear Pumps & Valves

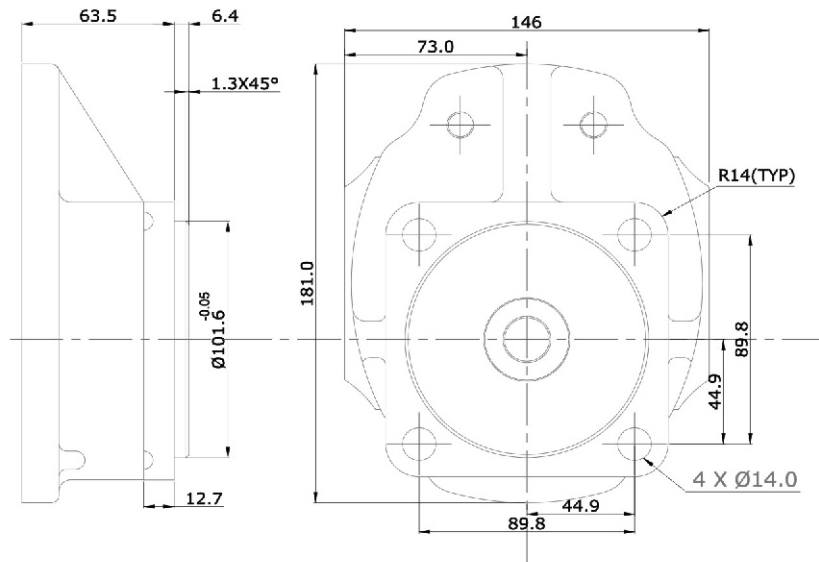
3P SERIES

MOUNTING FLANGE

4-Bolt SAE C Mounting Flange CODE-C



4-Bolt SAE B Mounting Flange CODE-B



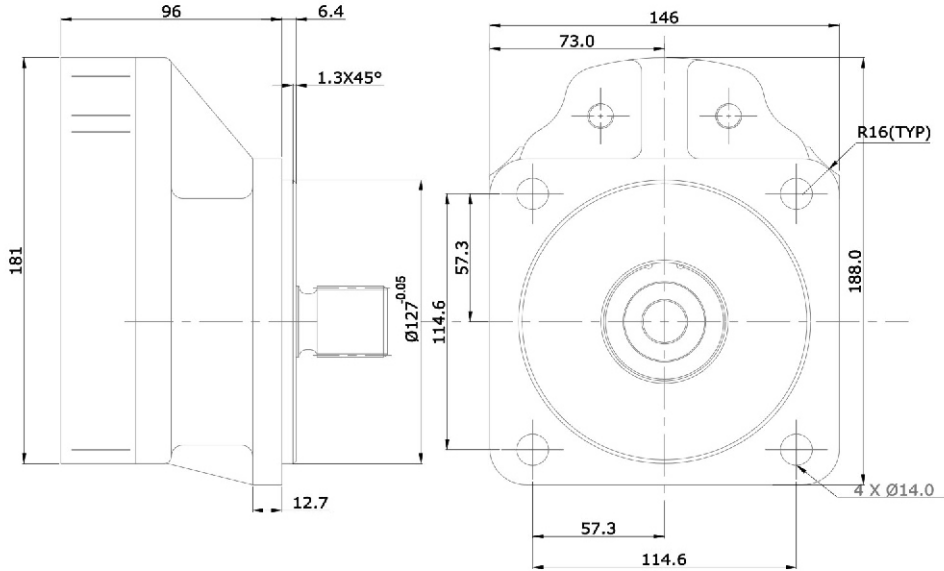
ALL DIMENSIONS ARE IN MM UNLESS SPECIFIED



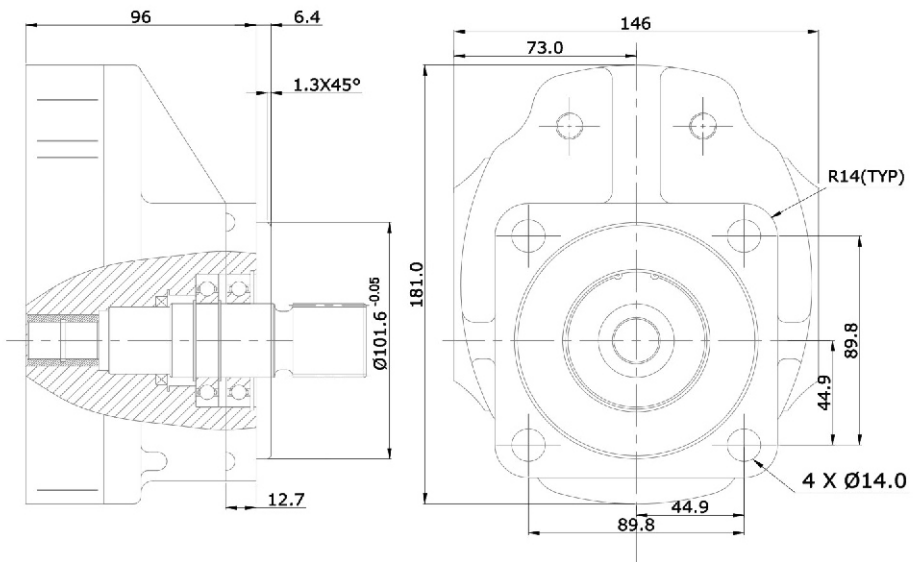
3P SERIES

MOUNTING FLANGE

4-Bolt SAE C Mounting Flange With Bearing support COE-3
Available with shaft code P & S only



4-Bolt SAE B Mounting Flange With Bearing support COE-2
Available with shaft code P & S only



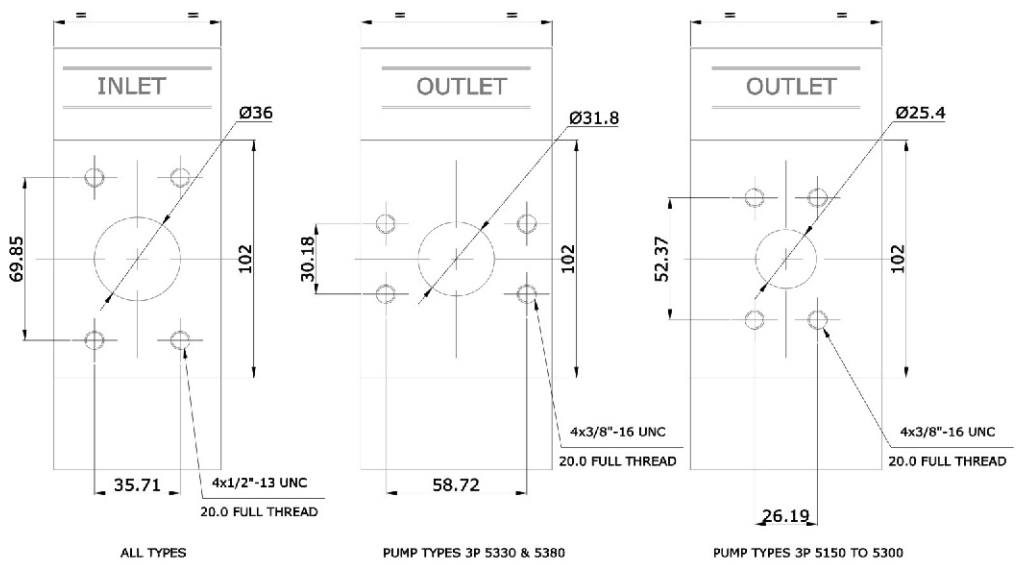
ALL DIMENSIONS ARE IN MM UNLESS SPECIFIED



3P SERIES

BODY PORT

CODE-S

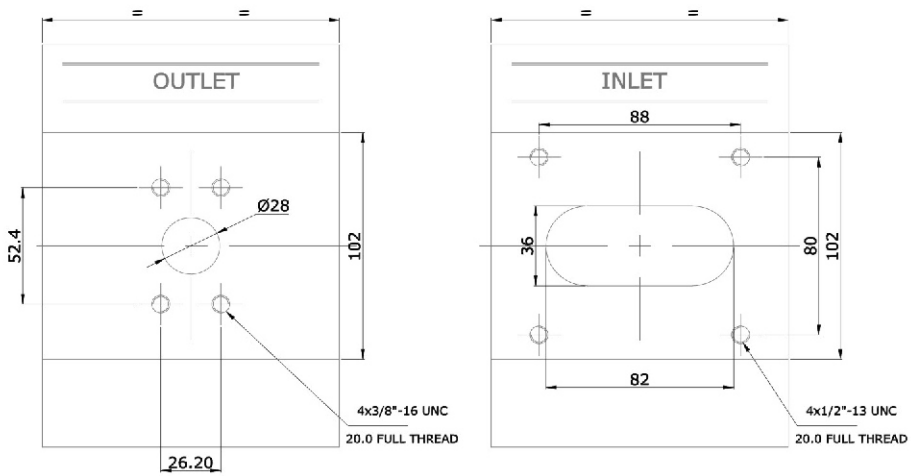


ALL TYPES

PUMP TYPES 3P 5330 & 5380

PUMP TYPES 3P 5150 TO 5300

CODE-S



PUMP TYPES 3P 5500
(ONLY ABOVE CONFIGURATION AVAILABLE)

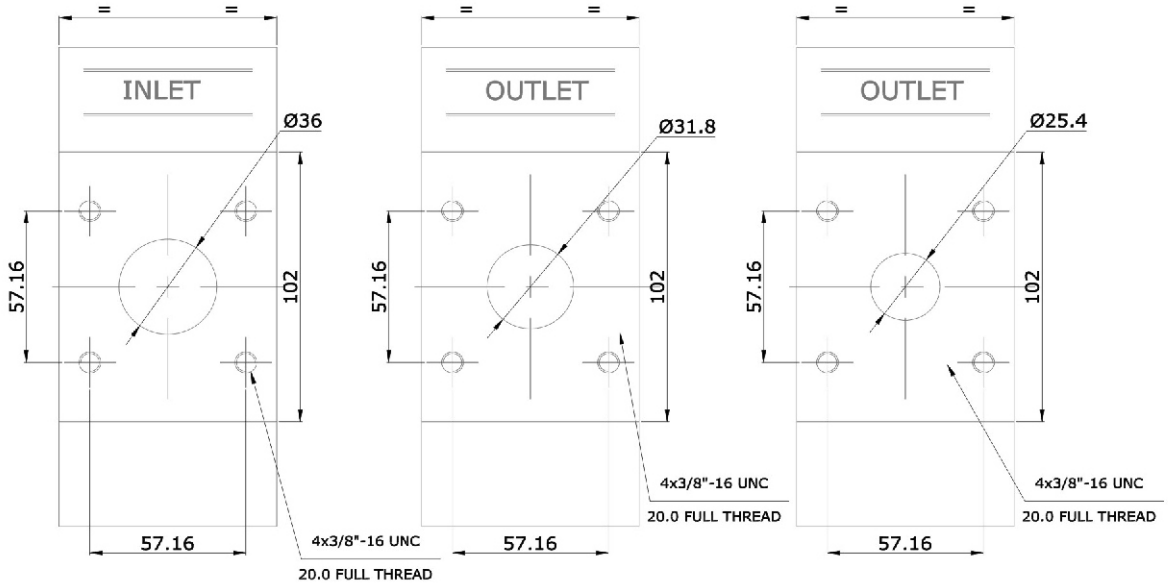
WITH SUCTION ADEPTOR

ALL DIMENSIONS ARE IN MM UNLESS SPECIFIED

3P SERIES

BODY PORT

CODE-F

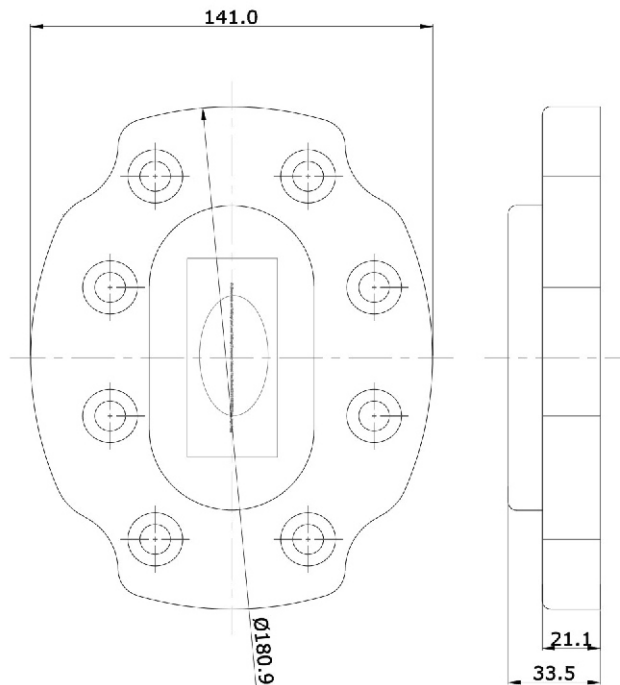


ALL TYPES

PUMP TYPES 3P 5150 TO 5300

PUMP TYPES 3P 5330 & 5380

END COVER



ALL DIMENSIONS ARE IN MM UNLESS SPECIFIED